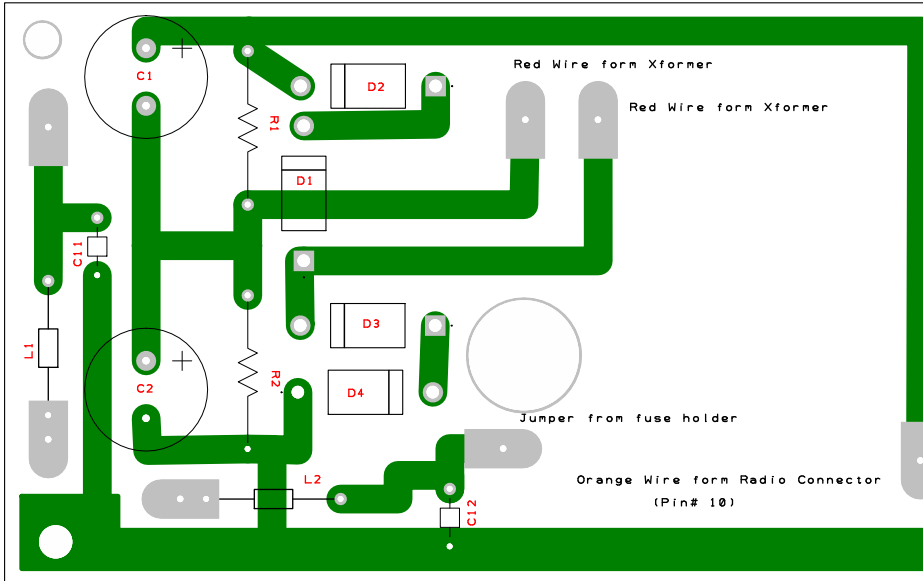


# Without SW1 Switch

Pins:1,2,3 are Closest to Board

- Pad 1: No Connection
- Pad 2: No Connection
- Pad 3: White Wire from Radio Cable (Pin# 4) @ 1 Green Wire from Xformer
- Pad 4: Black Wire from Radio Cable (Pin# 6) @ 1 Green Wire from Xformer
- Pad 5: The Brown Wire from (Pin# 1) on Radio Connector Cable, and the Black, and the Black/Green Wire from the Xformer.
- Pad 6: Red/Black, and the Black/Yellow wires from Xformer, and a jumper wire to the connection that goes to SW1 if no Switch.

Black Wire from Power Cord    Jumper wire to Pad 6 if no switch

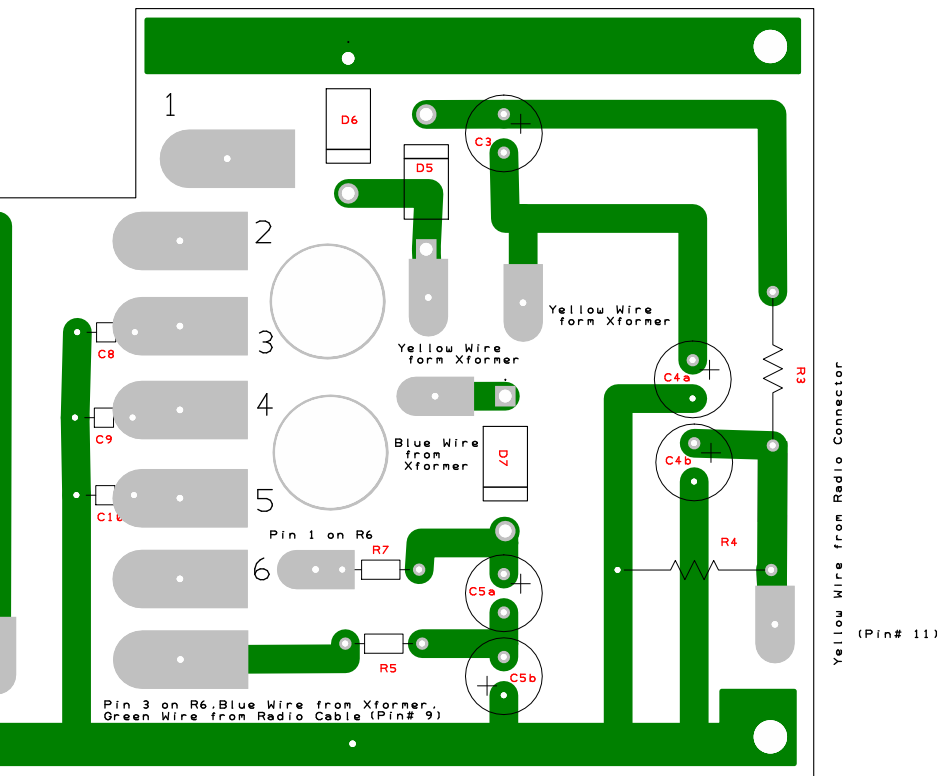


Blue Wire from Power Cord

Red Wire from Xformer  
 Red Wire from Xformer  
 Jumper from fuse holder  
 Orange Wire from Radio Connector (Pin# 10)

tch

ton Cover of Supply



Pin 2 on R6 and Grey wire from Radio Coconnector that is also on (Pin# 6)  
Pin 1 is closest pin to bottom cover of Supply R6 is your Bias control

